

LIGHTING TOWER

A Good Partner for Illumination!



ALT6600A

NOISE LEVEL: 62dBA@7m



Lighting Tower **ALT6600A**



Stable Performance and Safety

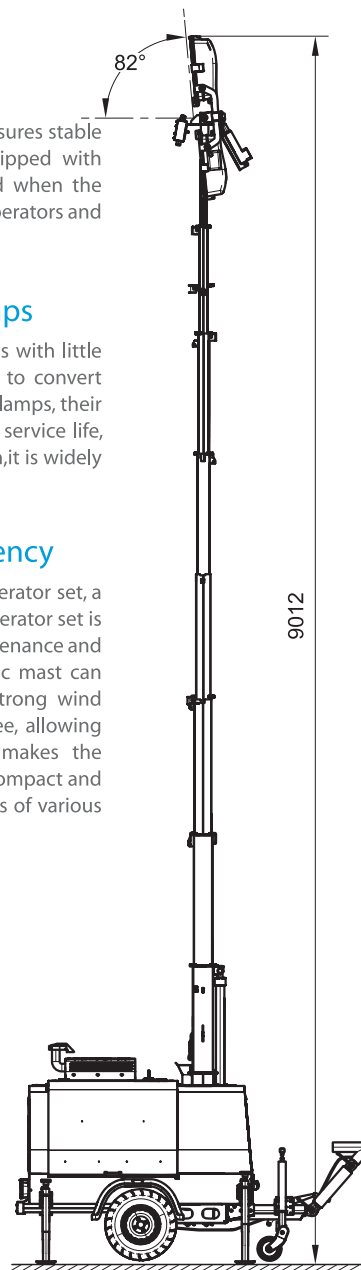
The superior performance of the generator set ensures stable and reliable lighting. The lighting tower is equipped with audible warning system, which will be activated when the mast is being raised or lowered so as to make the operators and people nearby noted and keep in safety distance.

Energy-efficient Metal Halide Lamps

Metal halide lamp can provide enough brightness with little energy, which is one of the most efficient ways to convert electrical energy into light. Compared with other lamps, their light is closer to natural light featuring by longer service life, compact structure and lower energy consumption, it is widely used in various industries.

Compact Structure for High Efficiency

ALT6600A lighting tower mainly consists of a generator set, a telescopic mast, a lighting kit and a trailer. The generator set is featured by large access door for convenient maintenance and large fuel tank for long time work. The telescopic mast can reach 9.012 meters' height at maximum with strong wind resistant performance, and can rotate 350 degree, allowing illumination in all directions. And the trailer makes the machine easy to move. The machine is designed compact and easy to use and to store. It can meet requirements of various applications.



Genset Parameter

Ambient Temperature	50°C
Fast Output Power	15 Amp, 230V
Max. Height (unfolded)	9012mm
Number of Mast Sections	9
Mast Rising Time	15s
Mast Lowering Time	18s
Rotating Angle of Light Fixture	0~350° (manual)
Pitch Angle of Light Fixture	0~82° (automatic)
Lamp	Metal Halide Lamp, 4x1000W, 220V
Illuminating Power (luminous flux)	85,000 Lumen/ Lamp
Max. Travel Speed	80 km / h
Dimensions (folded)	3438 × 1330 × 2270(mm)
Dimensions (unfolded)	3438 × 2502 × 9012(mm)
Dry Weight	1325kg

Diesel Engine

Model	D1105-BG
No. of Cylinder; Diameter x Stroke	3; 78x78.4mm
Prime Power	9.5kW
Displacement	1.123L
Fuel Tank	100L
Fuel Consumption (full load)	2.35L/H
Oil Capacity	5.1L

Alternator

Model	PI044G	LSA40VS1
Excitation	Brushless	Brushless
Excitation System	Self-exciting	Self-exciting
Poles	4	4
Protection Class	IP23	IP23
Insulation Class	H	H

